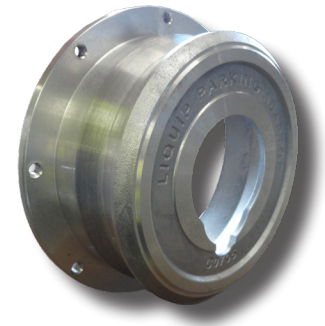


PA800 SERIES PARKING ADAPTOR

PA800 Series Parking Adaptors for API couplers ensure bottom loading arms are correctly stowed and secured. Some can also be used to collect drips and pipe them away to a drain system.

The bottom loading coupler is coupled and an integral proximity sensor (supplied separately) is actuated to enable system interlocks. All adaptors have stops to ensure coupler can not be opened whilst parked.



PA801 model shown

Key Features

- All adaptors have stops to ensure coupler can not be opened whilst parked.
- Some parking adaptors can be used to collect drips and pipe them away to a drain system.
- Parking adaptors can be supplied with a proximity switch to enable system interlocks.

Technical Information

Dismantle	Remove back plate and the nylon setscrew if dismantling to access proximity sensor as necessary.
Adjustment or Service	Periodically grease sliding proximity switch (where supplied) by using grease nipple visible from face of nose cone.
Materials of Construction	<i>Nose cone</i> - Aluminium <i>Spring</i> - Stainless Steel <i>Slider</i> - Acetal <i>Stand</i> - Painted Steel
Mounting	PA801 & PA811 bolt onto bracket (bracket supplied by customer) PAx8xx & PAx8xx are free standing (bolt to concrete or skid floor)
Weight	PA801 - 0.9kg

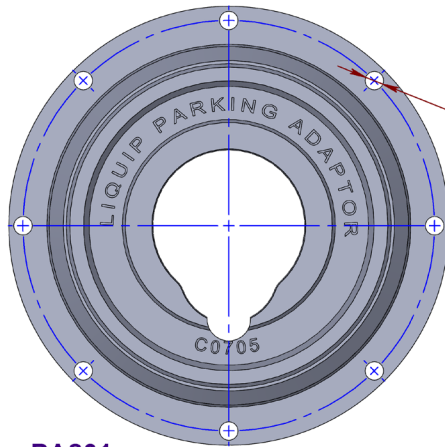
Ordering Information

Item	Description
PA801	API Parking Adaptor
PA811	API Parking Adaptor with Proximity Sensor Holder
PAS801	API Parking Adaptor c/w Stand, Straight
PAS811	API Parking Adaptor c/w Stand, Straight, with Proximity Sensor Holder
PAA801	API Parking Adaptor c/w Stand, Angled
PAA811	API Parking Adaptor c/w Stand, Angled , with Proximity Sensor Holder

Associated Equipment

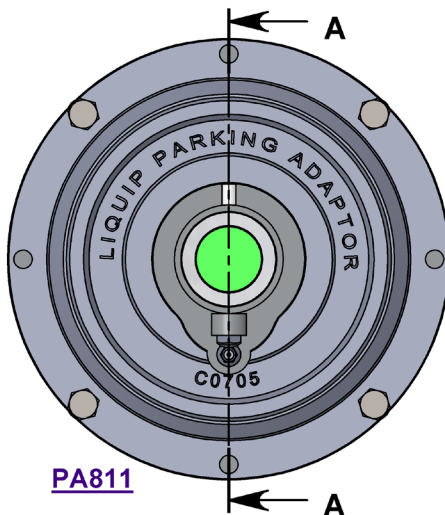
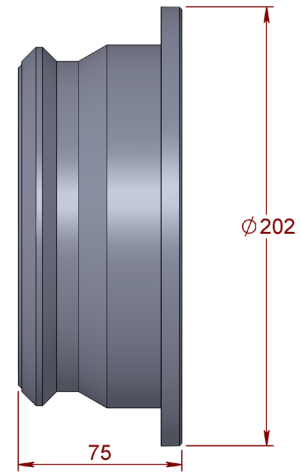
Item	Description
LYNX Series	API Dry Break Couplers
5544	Proximity Switch Sensor

PARKING ADAPTOR

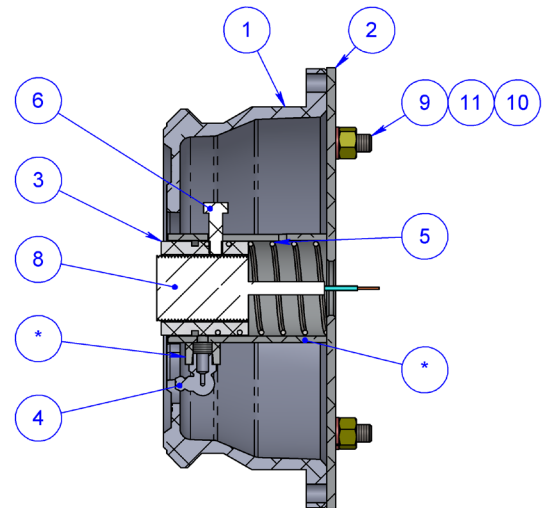


PA801

8 OFF ϕ 8.5
THRU HOLES
ON A 189 PCD



PA811

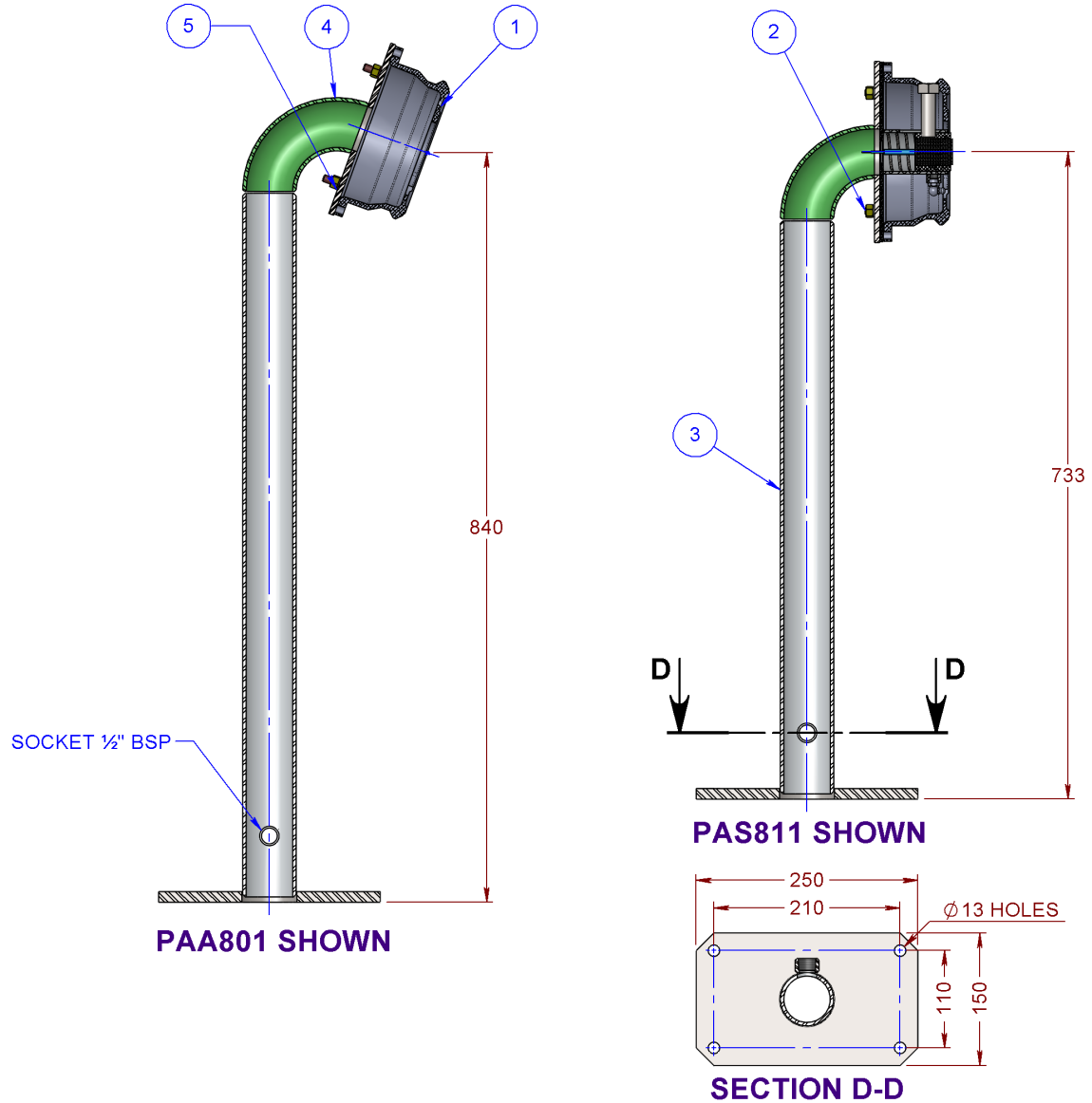


SECTION A-A

ITEM	PART NUMBER	DESCRIPTION	QTY.	MATERIAL
1	PA801	PARKING ADAPTOR	1	ALUMINIUM
2	APIPA-1	BACKING PLATE	1	ALUMINIUM
3	APIPA-2	PROXIMITY HOLDER / SLIDER	1	ACETAL
4	0478	GREASE NIPPLE	1	Z/P STEEL
5	4439	SPRING COMPRESSION	1	ST STEEL
6	4840	SETSCREW HEX HD IMP	1	NYLON
7	3395	GREASE SOLVENT RESIST	1	GREASE
8	5544	PROXIMITY SENSOR 30mm Ex ia (NOT INCLUDED)	-	ELECT
9	55057	SETSCREW METRIC	4	ST STEEL
10	5362	WASHER SPRING	4	ST STEEL
11	6618	NUT METRIC	4	ST STEEL

METERS - VALVES - VENTS - MANHOLES - HOSEREELS - OVERFILL PROTECTION - LOADING ARMS - ELECTRONIC DIPSTICKS

PARKING ADAPTOR



ITEM	PART NUMBER	DESCRIPTION	PAA811	PAS811	PAA801	PAS801	MATERIAL
1	PA801	PARKING ADAPTOR	-	-	1	1	ALUMINIUM
2	PA811	PARKING ADAPTOR	1	1	-	-	ALUMINIUM
3	PAS100	PARKING ADAPTOR STAND STRAIGHT	-	1	-	1	STEEL
4	PAA100	PARKING ADAPTOR STAND ANGLED	1	-	1	-	STEEL
5	5362	WASHER SPRING	4	4	4	4	ST STEEL
6	6651	SETSCREW METRIC	-	-	4	4	ST STEEL
7	6618	NUT METRIC	-	-	4	4	ST STEEL

METERS - VALVES - VENTS - MANHOLES - HOSEREELS - OVERFILL PROTECTION - LOADING ARMS - ELECTRONIC DIPSTICKS