

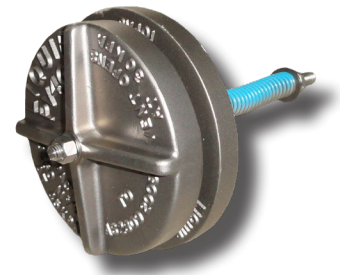
# Pressure Vent 4" (100mm)

Liquip's PV401 Series of pressure vents are often used on storage tank and limit excess pressure within the tank to 30 kPa max.

When welded into tank shell, a Ø100mm opening is held closed by a spring within the tank.

When the pressure reaches a pre-determined level (typically 30kPa), a poppet opens and vents the excess pressure to atmosphere. The vent closes and seals at pressures lower than 30 kPa.

PV401 series is available in Aluminium or Stainless Steel cover and Stainless flange. They can be fitted with a choice of Buna nitrile, Viton or Teflon encapsulated O-rings.



Liquip's PV401 Series

## Key Features

- Limits excess pressure within a tank to 30kPa max.
- Range of materials and seals available.
- Simple and reliable emergency pressure relief venting.
- Special opening pressures can be supplied on request.

## Ordering Information

**PV401-AS-V:** Aluminium cover, Stainless Steel 316 flange, Viton O-ring.

**PV401-SS-V:** Stainless Steel 316 cover, Stainless Steel 316 flange, Viton O-ring.

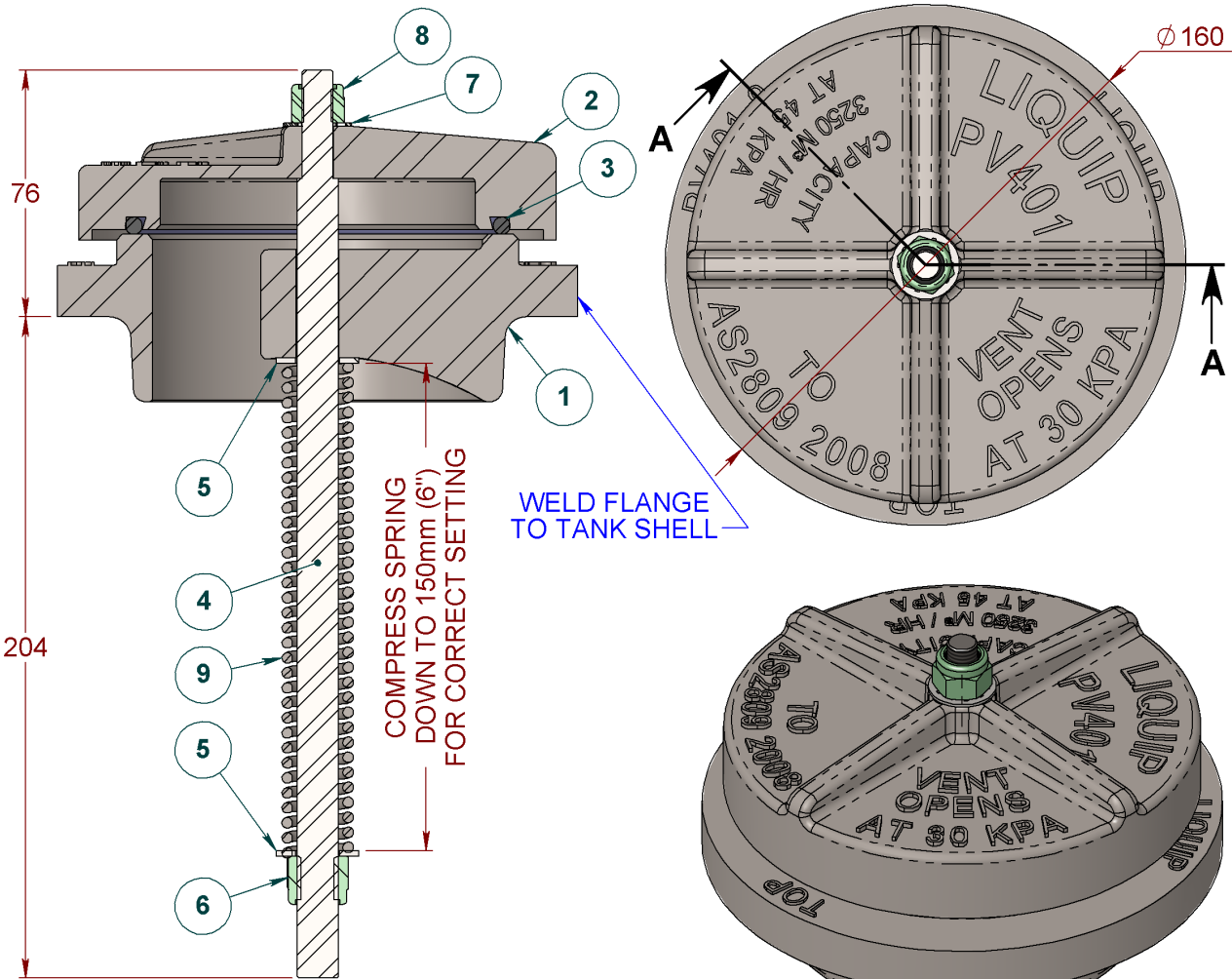
**PV401-SST316:** Stainless Steel 316 cover, Stainless Steel 316 flange, Teflon encapsulated O-ring.

**PV401-AS-BRC:** Aluminium cover, Stainless Steel flange with 185kPa opening pressure for Rail car

## Technical Specifications

<b>Opening Pressure</b>	Standard setting vent opens at 30kPa. BRC model opens at 185kPa.
<b>Capacity</b>	3250m <sup>3</sup> /hr at a pressure of 45kPa.
<b>Mounting</b>	Weld in flange.
<b>Standards</b>	Conforms to AS2809-2008. (Does not apply to BRC models)
<b>Adjustment or service</b>	None
<b>Dismantle</b>	From inside tank, remove nyloc nut, spring and 2 flat washers and lift poppet out..
<b>Weight</b>	Approx 4.8kg

# PV401 PRESSURE VENT



SECTION A-A

ITEM	PART NUMBER	DESCRIPTION	QTY	MATERIAL
1	PV401-9	FLANGE WELD	1	ST STEEL
2	PV401-13	COVER AL	1	ALUMINIUM
3	0208	O-RING	1	NITRILE
4	PV401-3	SPINDLE	1	ST STEEL
5	0104	WASHER FLAT IMPERIAL	2	Z/P STEEL
6	0152	NUT NYLOC	1	Z/P STEEL
7	0116	WASHER SHK-PRF INT	1	Z/P STEEL
8	0150	NUT NYLOC	1	Z/P STEEL
9	4457	SPRING	1	ST STEEL
10	PV401-14	INSTRUCTION LEAFLET	1	PAPER

METERS - VALVES - VENTS - MANHOLES - HOSEREELS - OVERFILL PROTECTION - LOADING ARMS - ELECTRONIC DIPSTICKS

X950498.E



**LIQUIP INTERNATIONAL PTY LTD**

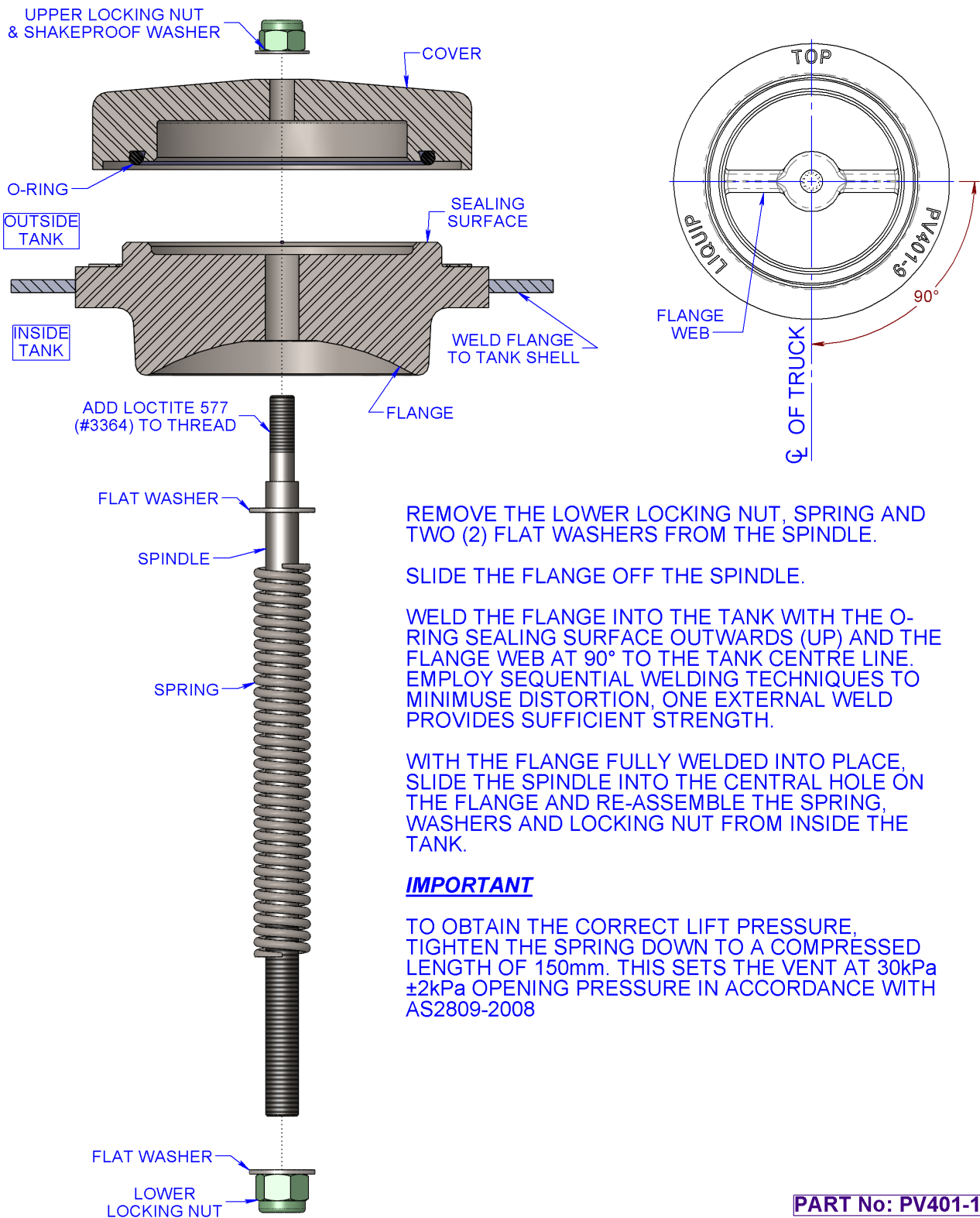
148B NEWTON RD, WETHERILL PARK, SYDNEY N.S.W. AUSTRALIA 2164

Phone: +61 2 9725-9000 Web: [www.liquip.com](http://www.liquip.com)

**X950498**

Sheet 1 of 1  
Issue: E

# PV401 FITTING INSTRUCTIONS



REMOVE THE LOWER LOCKING NUT, SPRING AND TWO (2) FLAT WASHERS FROM THE SPINDLE.

SLIDE THE FLANGE OFF THE SPINDLE.

WELD THE FLANGE INTO THE TANK WITH THE O-RING SEALING SURFACE OUTWARDS (UP) AND THE FLANGE WEB AT 90° TO THE TANK CENTRE LINE. EMPLOY SEQUENTIAL WELDING TECHNIQUES TO MINIMISE DISTORTION, ONE EXTERNAL WELD PROVIDES SUFFICIENT STRENGTH.

WITH THE FLANGE FULLY WELDED INTO PLACE, SLIDE THE SPINDLE INTO THE CENTRAL HOLE ON THE FLANGE AND RE-ASSEMBLE THE SPRING, WASHERS AND LOCKING NUT FROM INSIDE THE TANK.

### **IMPORTANT**

TO OBTAIN THE CORRECT LIFT PRESSURE, TIGHTEN THE SPRING DOWN TO A COMPRESSED LENGTH OF 150mm. THIS SETS THE VENT AT 30kPa  $\pm$  2kPa OPENING PRESSURE IN ACCORDANCE WITH AS2809-2008

**PART No: PV401-14**

AS2809-2008

METERS - VALVES - VENTS - MANHOLES - HOSEREELS - OVERFILL PROTECTION - LOADING ARMS - ELECTRONIC DIPSTICKS

**LIQUIP**  
PART OF OPW a DOVER company

**LIQUIP INTERNATIONAL PTY LTD**

148B NEWTON RD, WETHERILL PARK, SYDNEY N.S.W. AUSTRALIA 2164

Phone: +61 2 9725-9000 Web: [www.liquip.com](http://www.liquip.com)

**X950498**

Sheet 2 of 2  
Issue: E