



SM30 Meter Specifications Sheet

Superior accuracy at constant flow: with all other conditions being constant, the Sampi Meter does not vary more than 0.05% in repeatability over entire range and beyond. Accuracy over the widest range of flow: the Sampi Meter has a most ideal combination of minimum seal or slippage area with lowest pressure differential across the seal. There is no metal-to-metal contact within the meter element... and no contact means no wear... no wear means no increase in clearances... no increase in clearances means no increase in slippage... and no increase in slippage means no deterioration in accuracy.

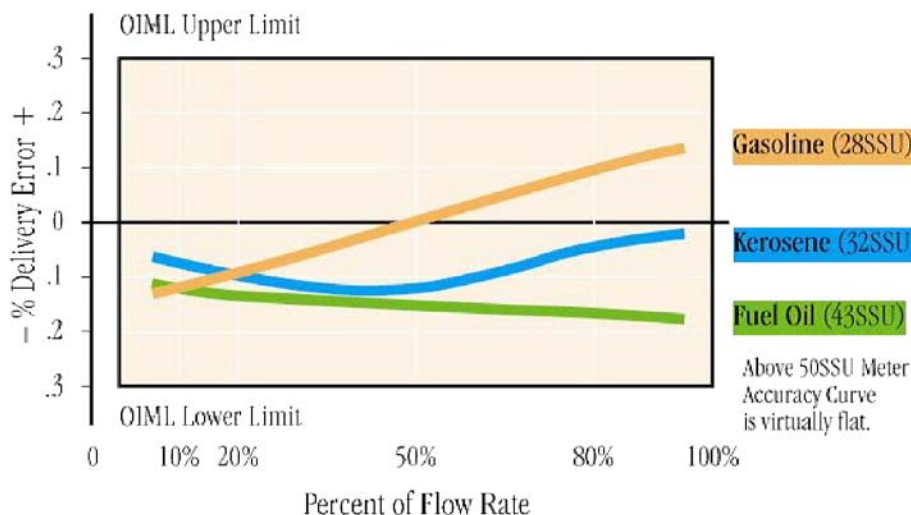


Performance

Temperature range	Viscosity range	Linearity		
°C (°F)	SSU (cP)	5:1	10:1	40:1
-40 to 71 (-40 to 160)	150 to 1500000 (25 to 325000)	± 0,125% (or better)	± 0,22% (or better)	± 0,5% (or better)

Features

Flange size	Max nom. Flow rate	Working pressure	Weight conf. "A"
Inches	l/min (GPM)	Bar (PSI)	Kg (lbs)
4 or 3	1700 (450)	10 (143)	63,5 (138)



All accuracy statements based on metering solvent, approximate viscosity 1 cP.

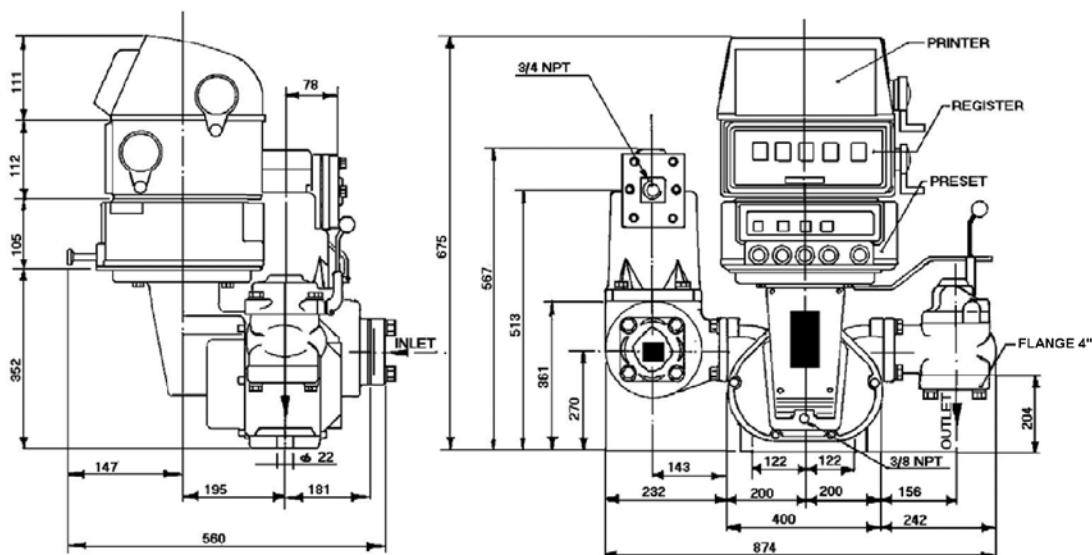
Materials

Class	Body	Rotors	Vanes	Gaskets
1	Anodized aluminium	Hard anodized aluminium	Anodized aluminium	Buna-Viton
2	Anodized aluminium	Hard anodized aluminium	Anodized aluminium	Buna-Viton
6	Hard anodized aluminium	Hard anodized aluminium	Hard anodized aluminium	Viton-Teflon
11	Anodized aluminium	Anodized aluminium	Anodized aluminium	Teflon

Configurations

	NO STRAINER NO AIR ELIMINATOR NO VALVE	STRAINER NO AIR ELIMINATOR NO VALVE	STRAINER AIR ELIMINATOR NO VALVE	STRAINER AIR ELIMINATOR NO VALVE AIR-CHECK	NO STRAINER NO AIR ELIMINATOR VALVE	STRAINER NO AIR ELIMINATOR VALVE	STRAINER AIR ELIMINATOR VALVE	STRAINER AIR ELIMINATOR VALVE AIR-CHECK
COUNTER NO PRINTER NO PRE-SET	A 	B 	C 	CX 			D 	DX
COUNTER PRINTER NO PRE-SET	E 	F 	G 	GX 			H 	HX
COUNTER NO PRINTER PRE-SET					I 	J 	K 	KX
COUNTER PRINTER PRE-SET					L 	M 	N 	NX
NO COUNTER NO PRINTER NO PRE-SET	P 	R 	S 	SX 	U 	V 	T 	TX

Dimensions



SAMPI spa

A unit of IDEX Corporation
Via Amerigo Vespucci, 1
55011 Altopascio (Lucca) – Italy
Phone: +39 0583 24751
Fax: +39 0583 264748
www.sampi.it

