

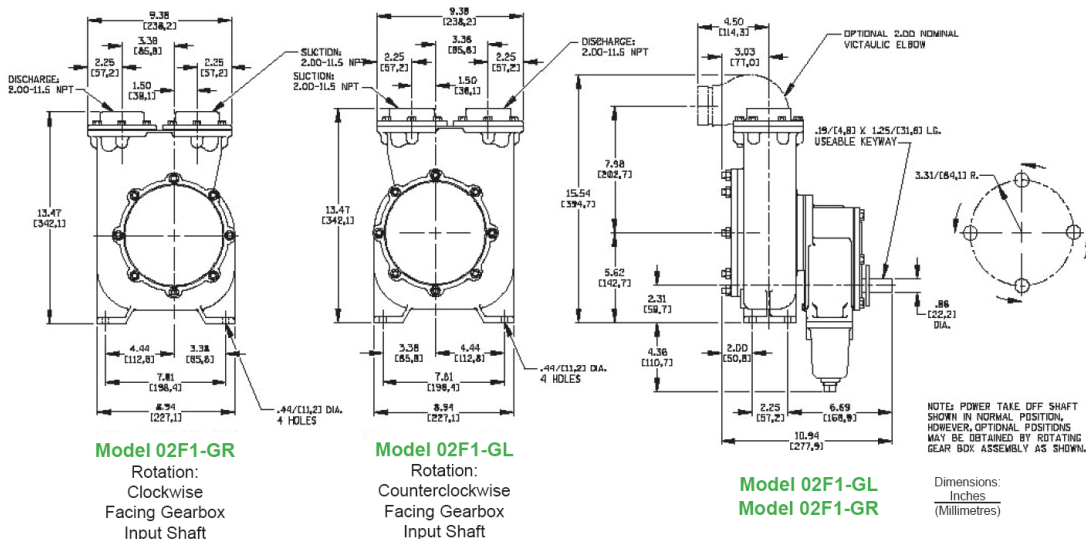
Gorman Rupp Pump 2"

Most economical and best quality pump

Gorman Rupp pumps are proven performers in reliability. Self-priming centrifugal PTO pumps are ideal for handling aircraft fuels. Designed for truck mounting.

Technical Specifications

Size:	2" x 2" (51 mm x 51 mm) NPT - Female
Casing:	Aluminium Alloy 356-T6 Maximum Operating Pressure 234 psi (1613 kPa)*
Enclosed Type, Six Vane Impeller:	Aluminium Alloy 356-T6 w/Gray Iron 30 Hub Insert
Pinion Shaft:	Alloy Steel 4320
Replaceable Wear Ring:	Copper Alloy C93200
Removable Cover Plate:	Gray Iron 30, 6 lbs. (3 kg)
Seal:	Type 21, Mechanical, Self-Lubricated. Carbon Rotating Face. Ni-Resist Stationary Face. Fluorocarbon Elastomers (DuPont Viton® or Equivalent). Stainless Steel No. 18-8 Cage & Spring. Maximum Temperature of Liquid Pumped, 160°F (71°C)*
Seal Guard:	Brass Tubing ASTM B-135
Gearbox Housing:	Gray Iron 30
Gearbox Lubrication:	SAE 90 Gear Oil
Gear:	Alloy Steel 4620
Gear Ratio:	5.69:1 Increase
Bearings:	Open Single Row Ball
Flanges:	Gray Iron 30
Gaskets:	Buna-N w/Cork and Vegetable Fiber
Hardware:	Standard Plated Steel
Optional Equipment:	Victaulic™ Elbow Victaulic is a Registered Trademark of Victaulic Company of America



Gorman Rupp Pump 2"

Ordering Information

Part No	Description
8425	Pump Gorman Rupp 2" model 02F1-GR (right-hand rotation)

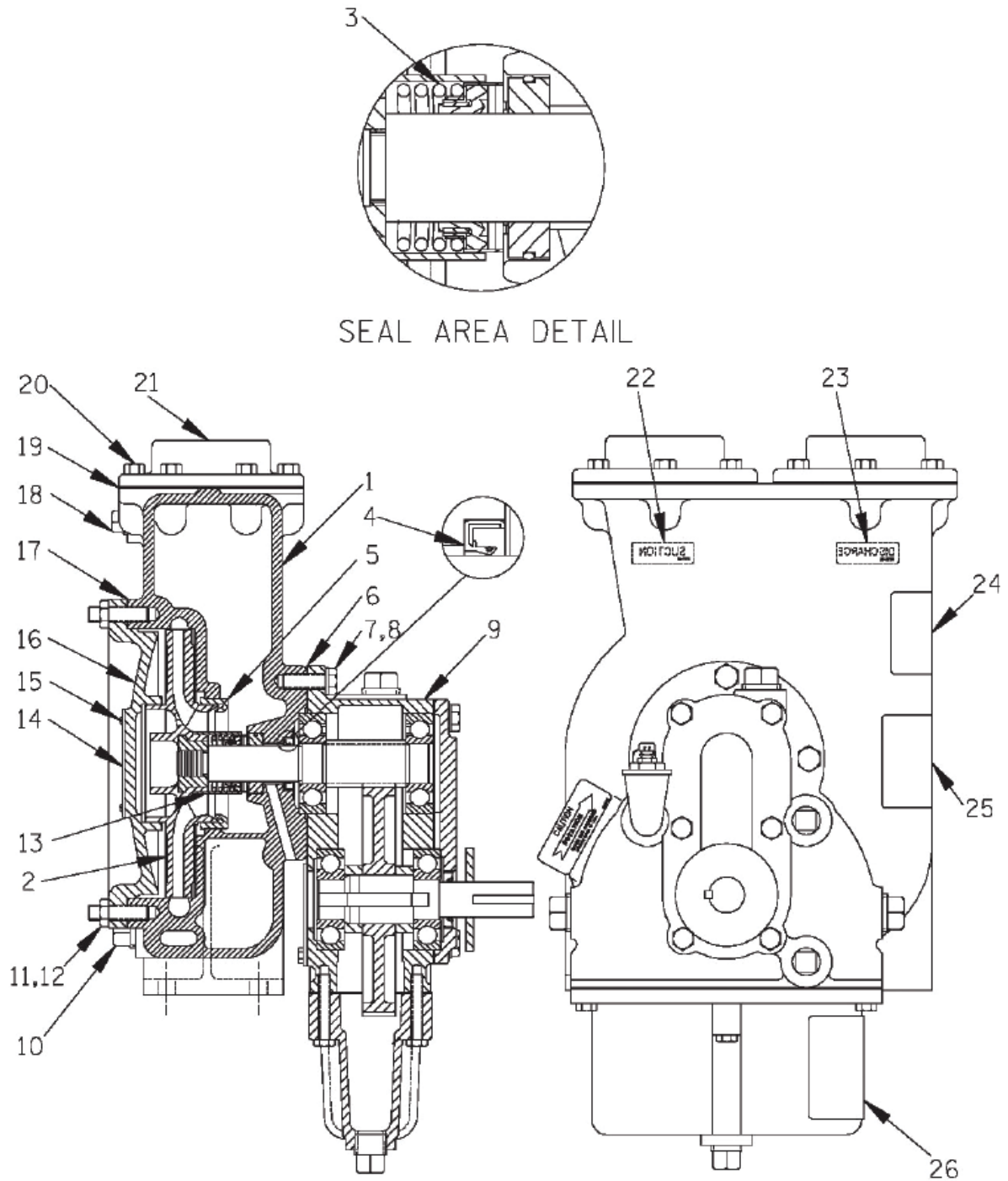


Figure 1. Pump Model 02F1-GR

Gorman Rupp Pump 2"

Ordering Information

If your pump serial number is followed by an "N", your pump is NOT a standard production model. Contact the Liquip part sales team to verify part numbers.

Parts List Pump Model 02F1-GR				
Item		Part No	Description	Qty
1		8751B	Pump Casing	1
2		8101	Impeller	1
3	*	25271-851	Seal Assembly	1
4	*	25217-165	Oil Seal	1
5	*	8099	Wear Ring	1
6	*	8102G	Gasket	1
7		B0604	Hex Head Capscrew	3
8		J06	Lock Washer	3
9		44161-020	Gear Box Assembly	1
10		P06	Pipe Plug	1
11		C0606	Stud	8
12		D06	Hex Nut	8
13		31143-056	Seal Guard	1
14		38818-020	Name Plate	1
15		BM#04-03	Drive Screw	4
16		11156	Cover Plate	1
17	*	8098G	Cover Plate Gasket	1
18		P04	Pipe Plug	2
19	*	9288A	Flange Gasket	2
20		B0603	Hex Head Capscrew	12
21		9586A	Flange	2
22		6588AG	Suction Sticker	1
23		6588BJ	Discharge Sticker	1
24		GR-02	G-R Decal	1
25		38816-077	Gear Lube Decal	2
26		8382B	Lubrication Decal	REF
NOT SHOWN		38817-039	Instruction Tag	1
NOT SHOWN		6588U	Instruction Tag	1

* Indicates parts recommended for stock



Gorman Rupp Pump 2"

Ordering Information

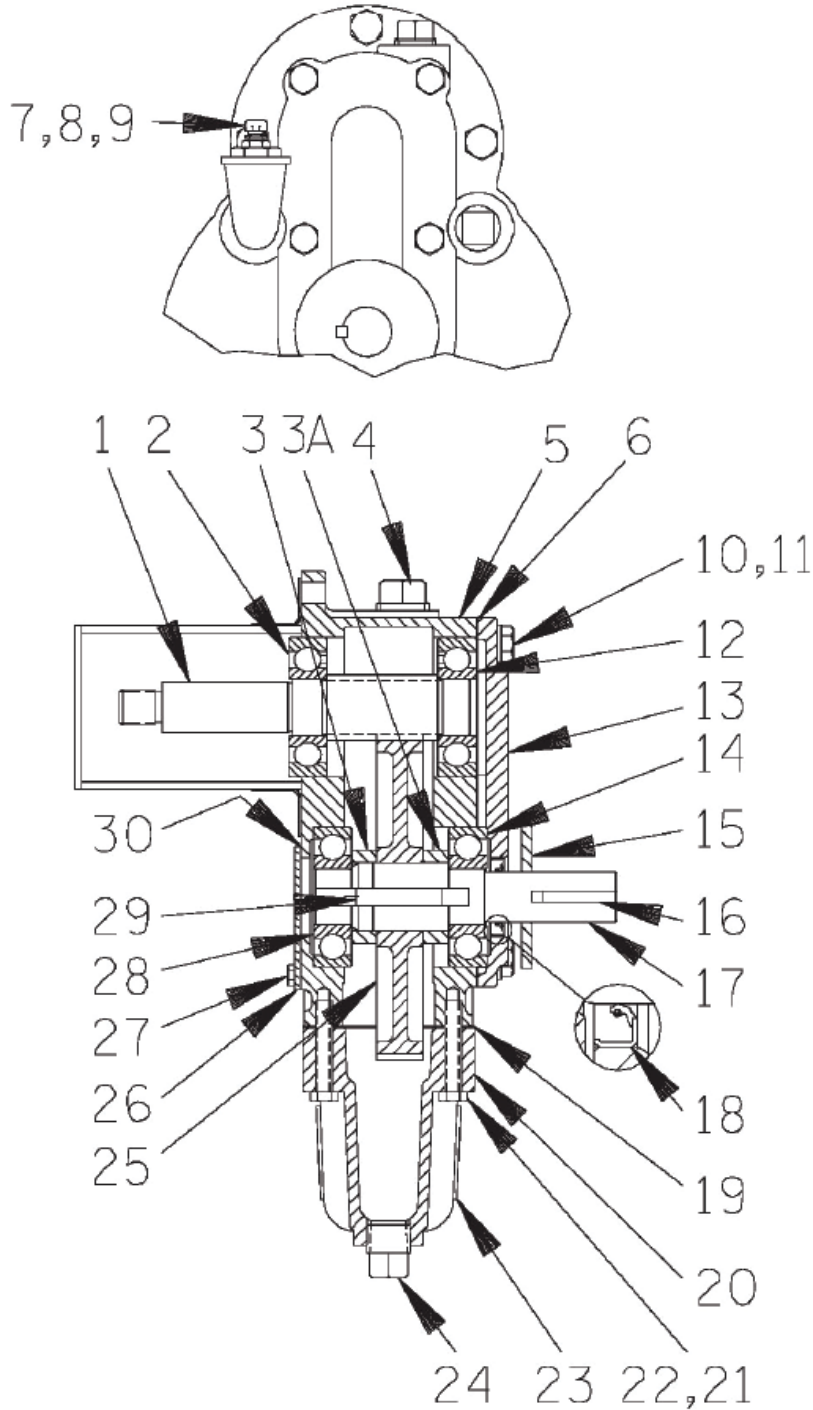


Figure 2. 44161-020 Gear Box Assembly



Gorman Rupp Pump 2"

Ordering Information

If your pump serial number is followed by an N", your pump is NOT a standard production model. Contact the Liquip part sales team to verify part numbers.

Parts List 44161-020 Gearbox Assembly				
Item		Part No	Description	Qty
1		38521-016	Pinion Shaft	1
2	*	23275-206	Ball Bearing	1
3		8104	Spacer Sleeve	2
4		P08	Pipe Plug	1
5		8103B	Gear Box	1
6	*	8097G	Gasket	1
7		S1530	Air Vent	1
8		AP0802	Reducing Pipe Bushing	1
9		RS08	Street Below	1
10		B0503	Hex Head Capscrew	6
11		J05	Lock Washer	6
12	*	23275-206	Ball Bearing	1
13		8097	Bearing Cover	1
14	*	S1120	Ball Bearing	1
15		31131-063	Slinger Ring	1
16	*	N0305	Key	1
17		8095	Drive Shaft	1
18	*	S1617	Oil Seal	1
19	*	10332G	Gasket	1
20		38354-032	Oil Sump	1
21		B0406	Hex Head Capscrew	2
22		B0403	Hex Head Capscrew	4
23		8382B	Decal	2
24		P08	Pipe Plug	5
25		8022	Drive Gear	1
26		8120	Cover Plate	1
27		BW#10-01-1/4S	Hex Head Capscrew	3
28	*	S1120	Ball Bearing	1
29	*	N0506	Key	1
30	*	8120G	Cover Gasket	1

* Indicates parts recommended for stock